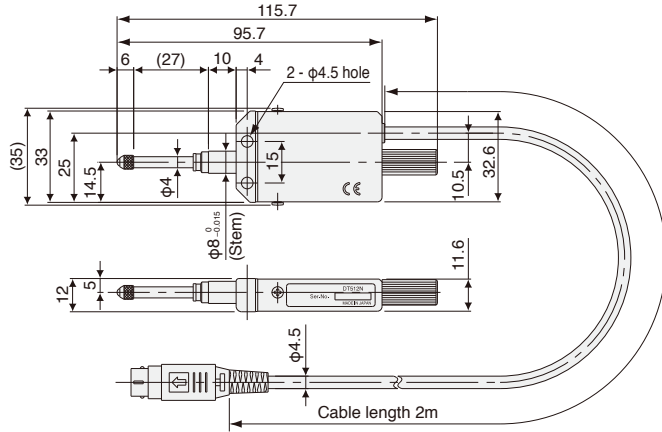


# DT DT512/12



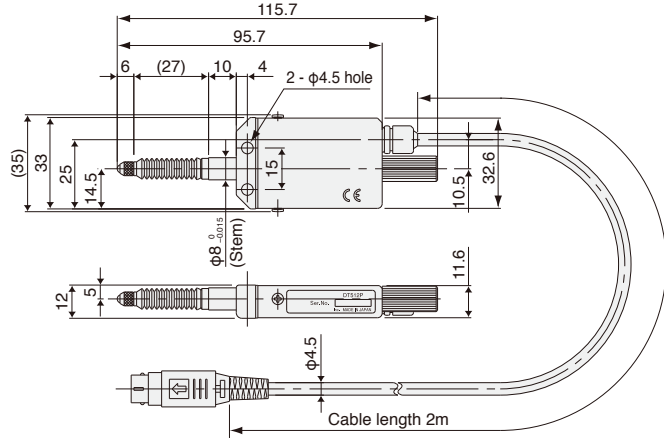
Resolution **1μm**  
Resolution **5μm**  
Stem **φ8**  
Stroke **12mm**

DT512N/12N



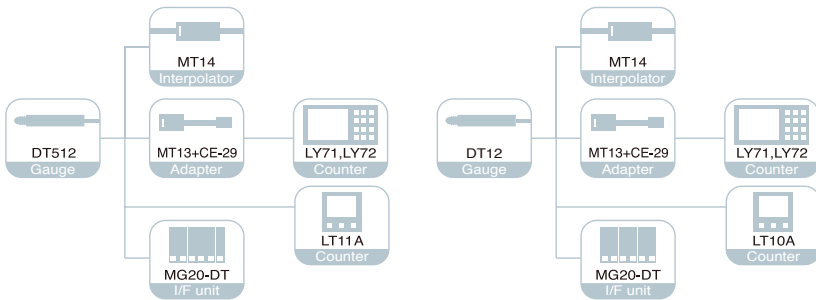
\* Upon installation, clamp the stem.

DT512P/12P



\* Upon installation, clamp the stem.

Unit: mm



## Specifications

Model	Standard model	Protected type model	Standard model	Protected type model
	DT512N	DT512P	DT12N	DT12P
Measuring range	12 mm			
Maximum resolution	1 μm		5 μm	
Accuracy (at 20°C/68°F)	6 μm		10 μm	
Measuring force (at 20°C/68°F)	Upward: 0.7±0.5 N Horizontal: 0.8±0.5 N Downward: 0.9±0.5 N	1.7 N or less in all directions	Upward: 0.7±0.5 N Horizontal: 0.8±0.5 N Downward: 0.9±0.5 N	1.7 N or less in all directions
Maximum response speed	Depending on unit to be connected			
Reference point	None			
Spindle drive system	Spring push-out			
Achieved number of strokes <sup>1</sup>	5 million			
Protection grade <sup>2</sup>	—	IP64 or equivalent	—	IP64 or equivalent
Operating temperature	0 to 50 °C			
Storage temperature	-10 to 60 °C			
Mass <sup>3</sup>	Approx. 75 g	Approx. 80 g	Approx. 75 g	Approx. 80 g
Output cable length	2 m			
Feeler	Steel ball tip, Mounting screw M2.5			
Accessories	Instruction Manual			

<sup>1</sup> Under specific test conditions defined by Magnescale Co., Ltd.

<sup>2</sup> Excluding the connector

<sup>3</sup> Excluding cable section